

RTS 87

Transom concealed
door closers

RTS 87

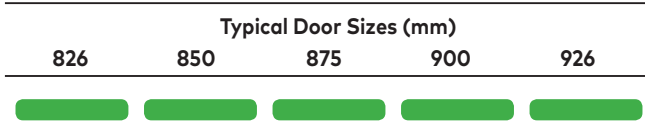
dormakaba RTS87 Profile Transom Closers offer the ideal solution for double action and single action doors where the closer is located in an aluminium or steel profile transom.

The RTS87 Transom Closer is a power adjustable unit size EN1 to EN4 that allows fine on site tuning of the closing force to ensure full and correct closure of the door whilst ensuring opening forces are kept to a minimum allowing compliance with Approved Document M and BS8300. With positive Centering through its Cam Mechanism fine adjustment of the neutral position can also be made with the drive arm fitted within the door leaf ensuring correct door alignment and performance.

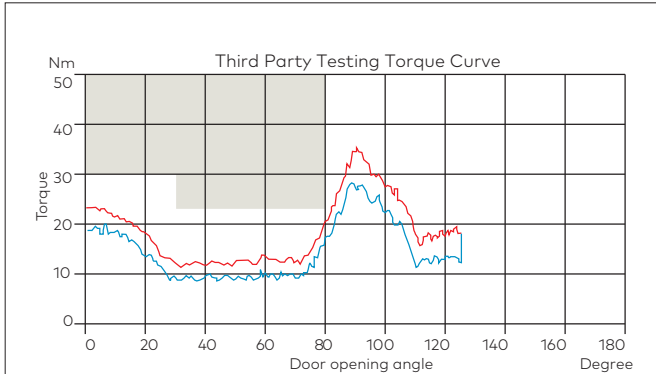
A comprehensive range of accessories are available for use within the RTS87 including pinch free, side and end load arms and pivots.



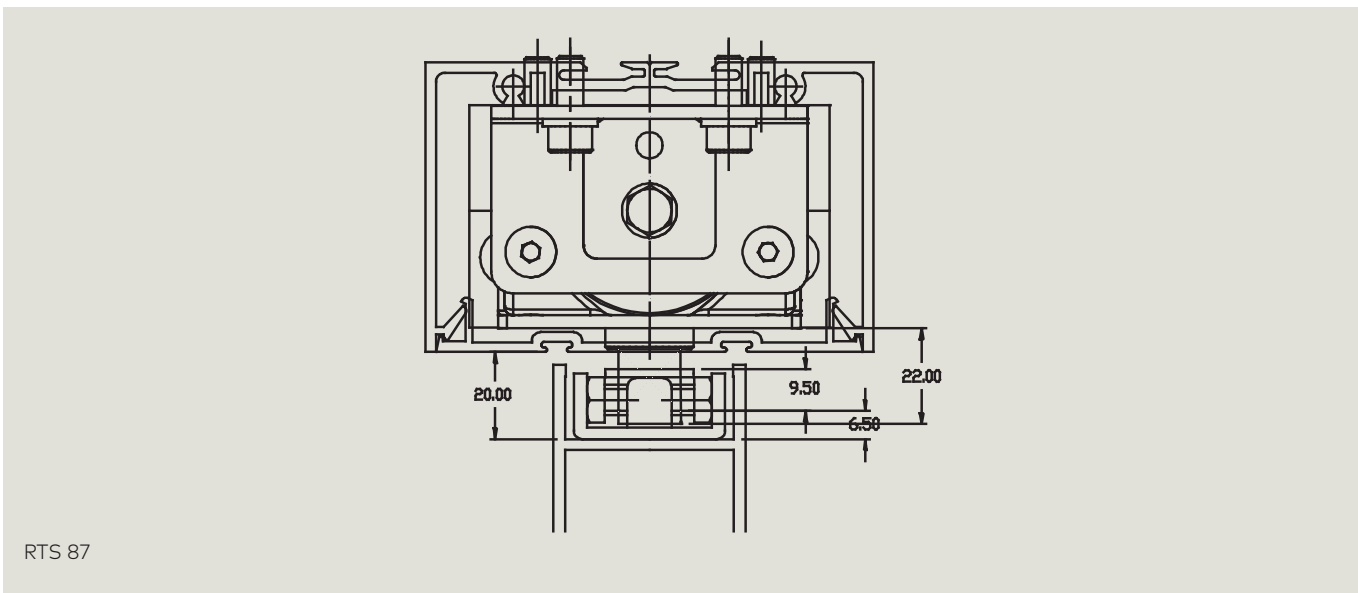
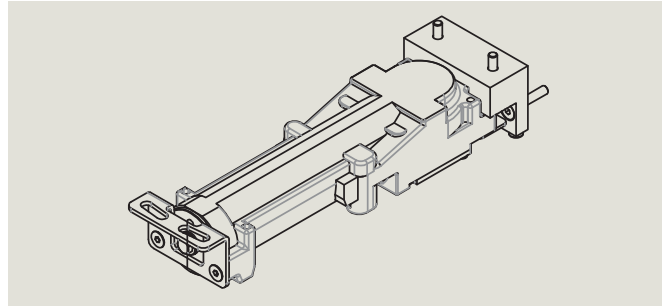
RTS87 Opening Forces adjusted to EN3



Minimum achievable door width at EN3 = 800 mm



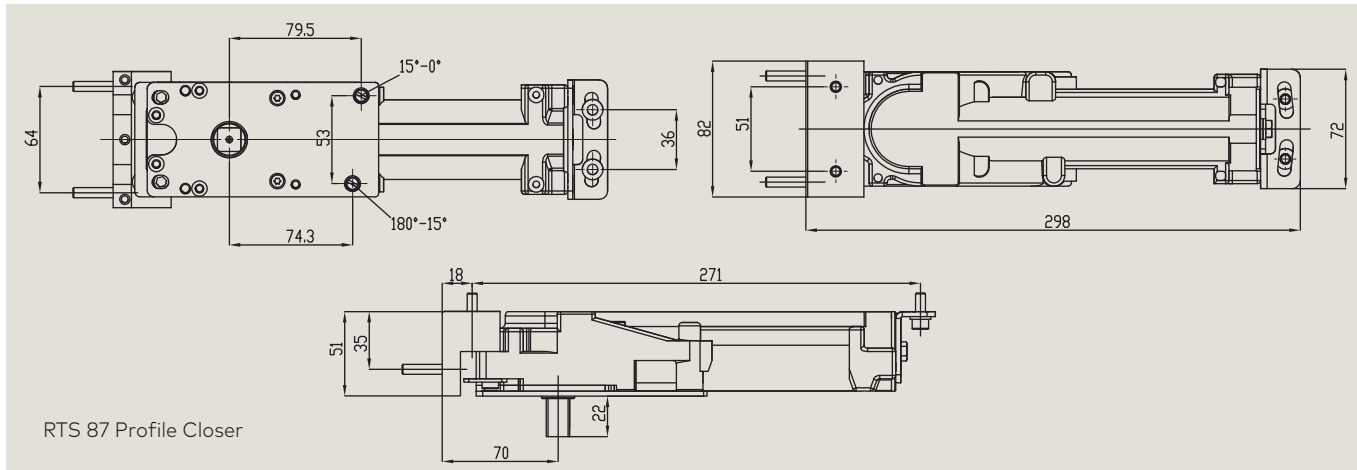
Technical Data		RTS 87
EN Power Size		EN 1-4
Maximum Door width		≤ 1100 mm
Adjustable Power Size		●
Independent Valve Adjustable Closing Speed 175° - 15°		●
Independent Valve Adjustable Latching Speed 15° - 0°		●
Mechanical Backcheck		●
Hold Open 90° Option		●
Double Action and Single Action Doors		●
Universal Non Handed Unit		●
Minimum door width where unit will exert 30N opening force when adjusted to EN3 (min. for fire doors)		800 mm
Dimensions in mm	Length	298
	Width	72
	Height	51
Weight in kg		5.2
Door Closer tested to BS EN1154		●
CE marked to BS EN1154		●



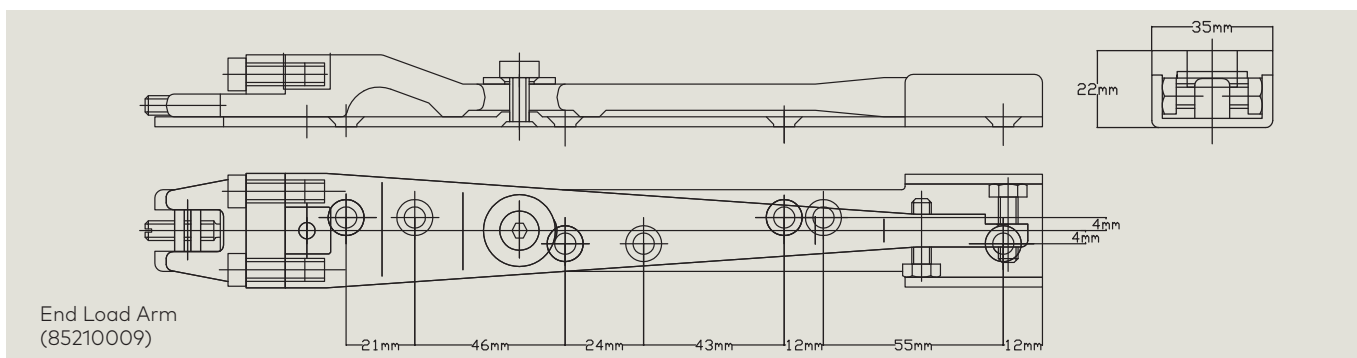
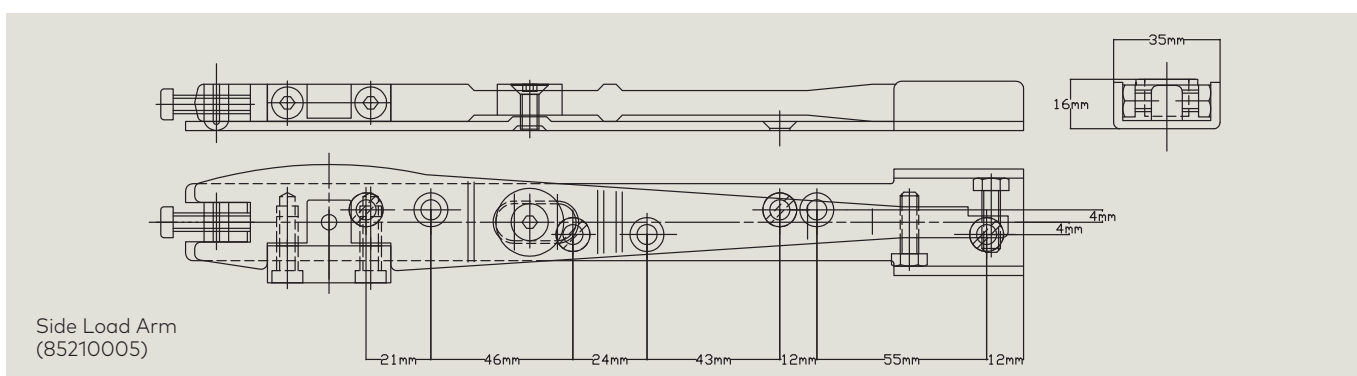
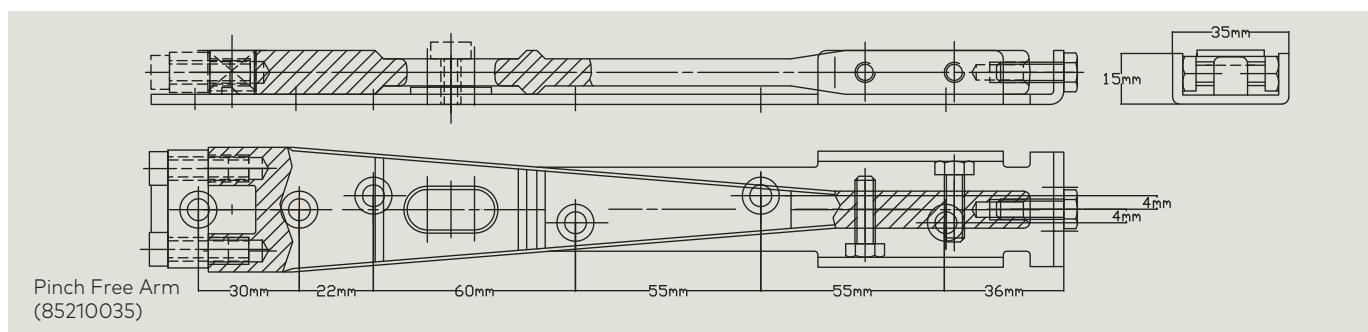
RTS 87

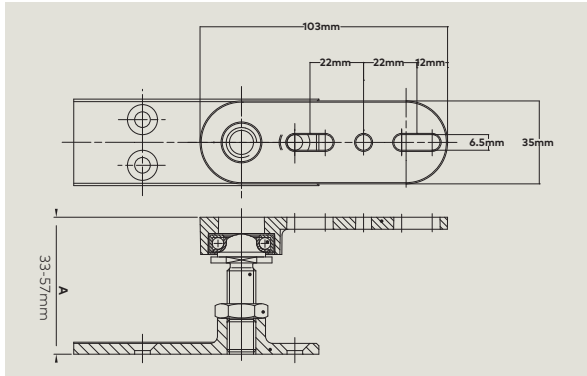
RTS 87 unit

Models: RTS 87 EN 1-4 NHO (85351121) / RTS 87 EN 1-4 HO90° (85352121) / RTS 87 Dummy unit (85341121)

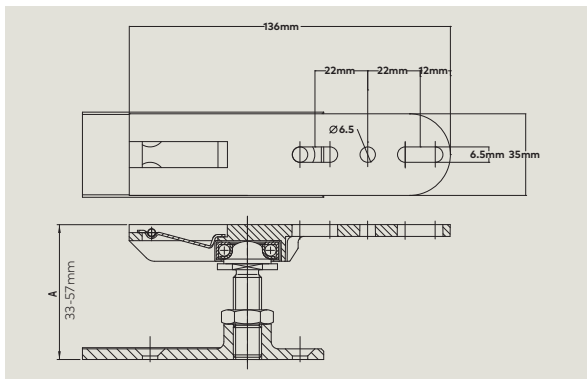


RTS 87 typical applications

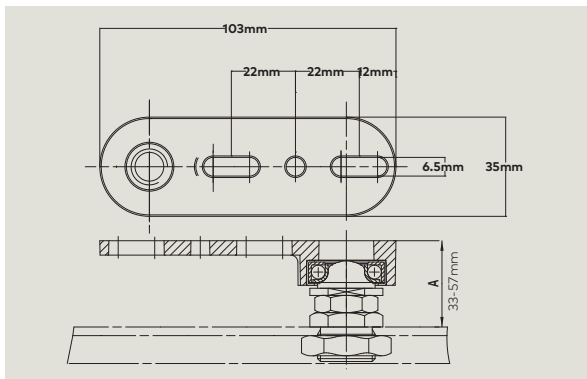




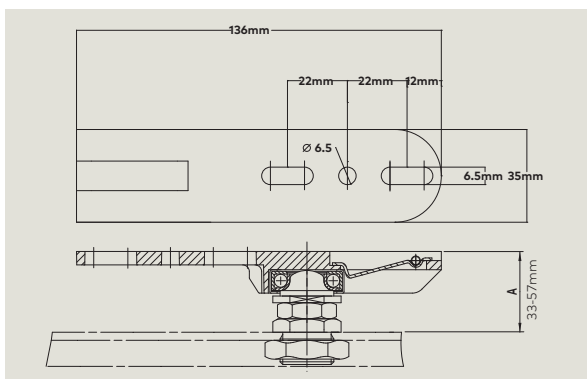
RTS Pivot Set Side Load Floor Mounted
(85210022)



RTS Pivot Set End Load Floor Mounted
(85210021)



RTS Pivot Set Side Load Threshold Mounted
(85210024)



RTS Pivot Set End Load Threshold Mounted
(85210023)



www.dormakaba.co.uk

dormakaba UK & Ireland

E: info.gb@dormakaba.com

Wilbury Way, Hitchin
Hertfordshire

SG4 0AB

T: +44(0)1462 477600

F: +44(0)1462 477601

Lower Moor Way
Tiverton, Devon

EX16 6SS

T: +44(0)870 000 5625

F: +44(0)870 000 5397